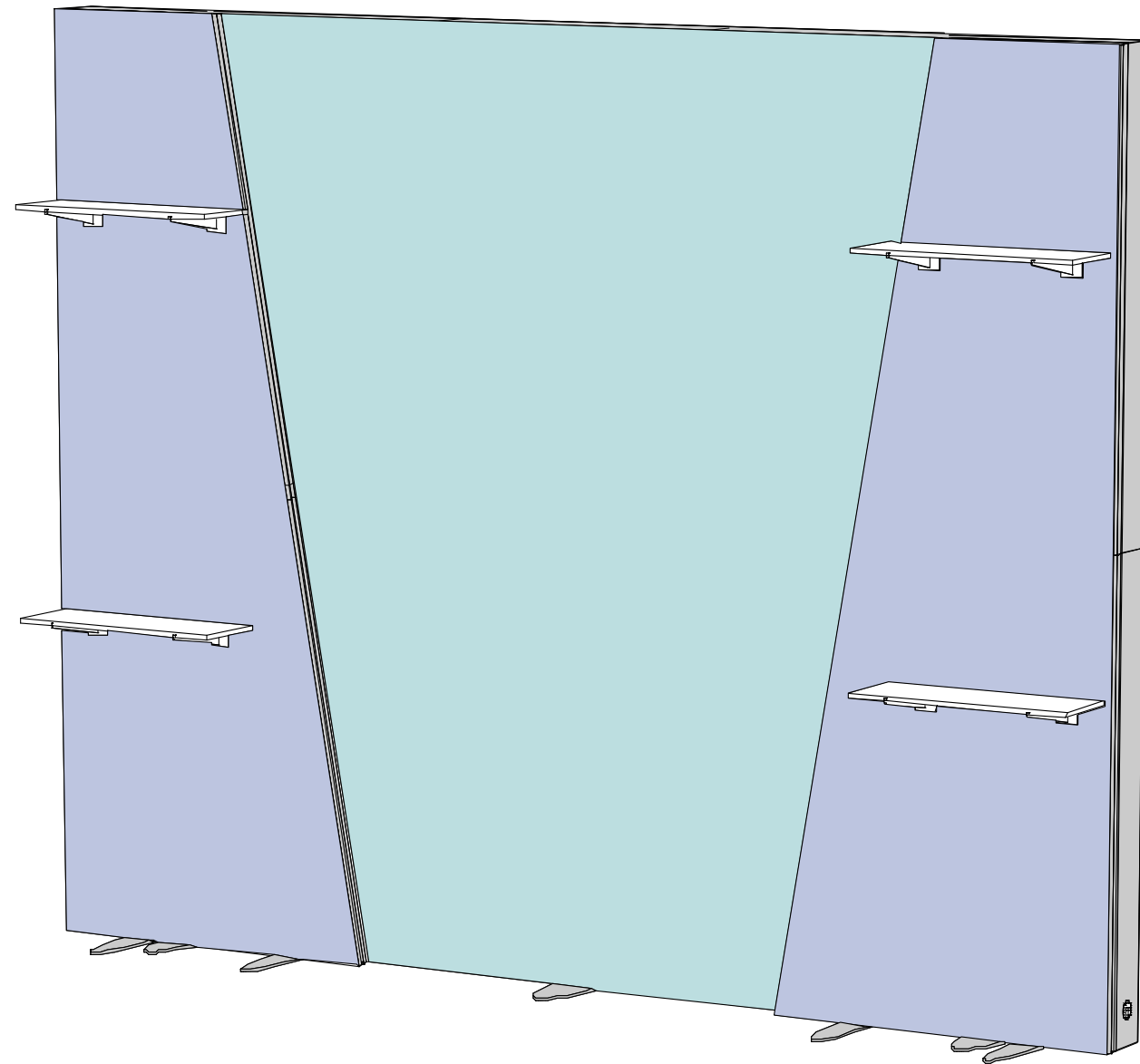
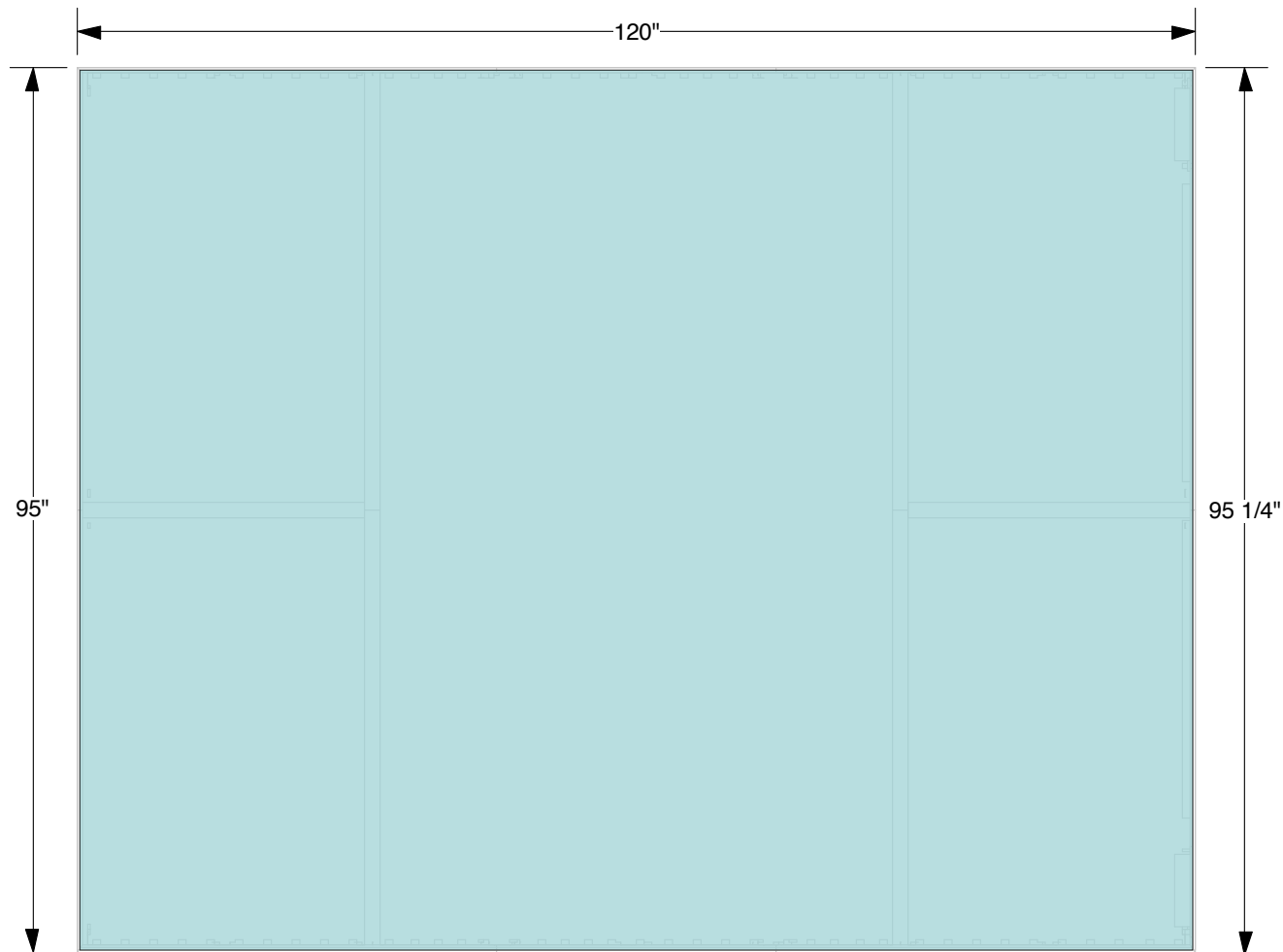


LEW (10'W x 8'H)

ASSEMBLY INSTRUCTIONS

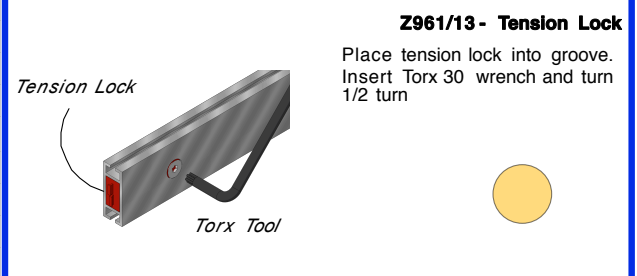
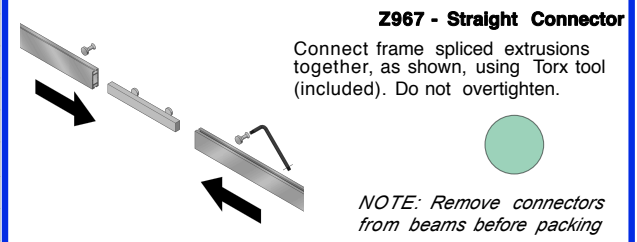
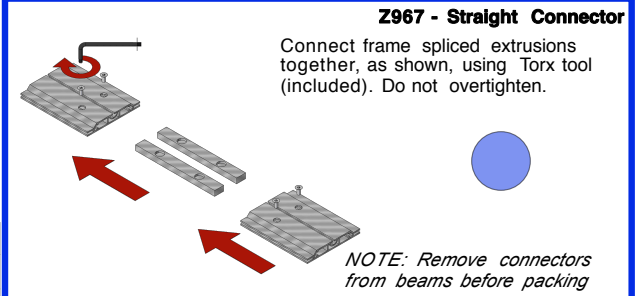
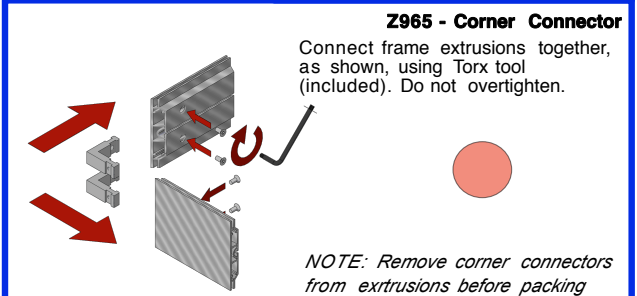
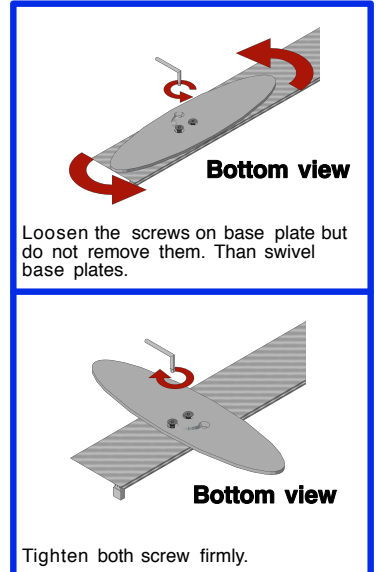
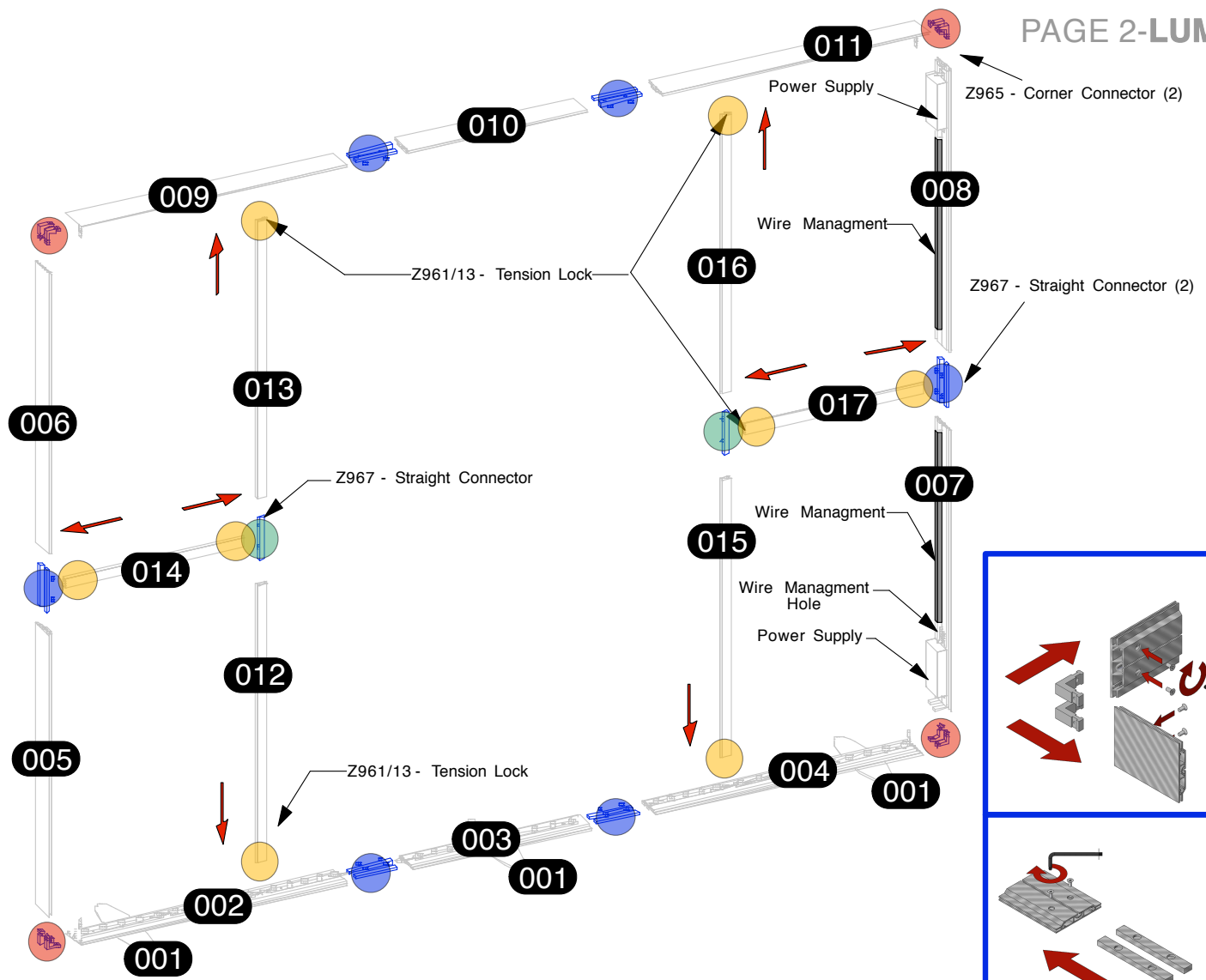
*CLIENT:
ORDER:
INSTR:*





FRONT VIEW

TOP VIEW

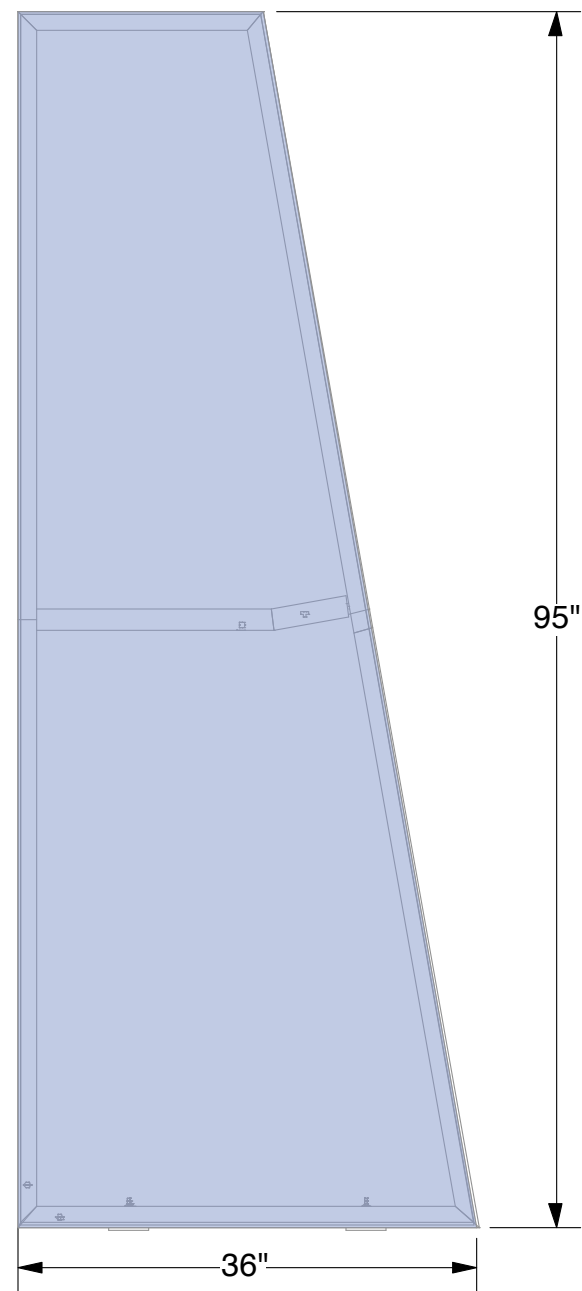


INSTRUCTIONS

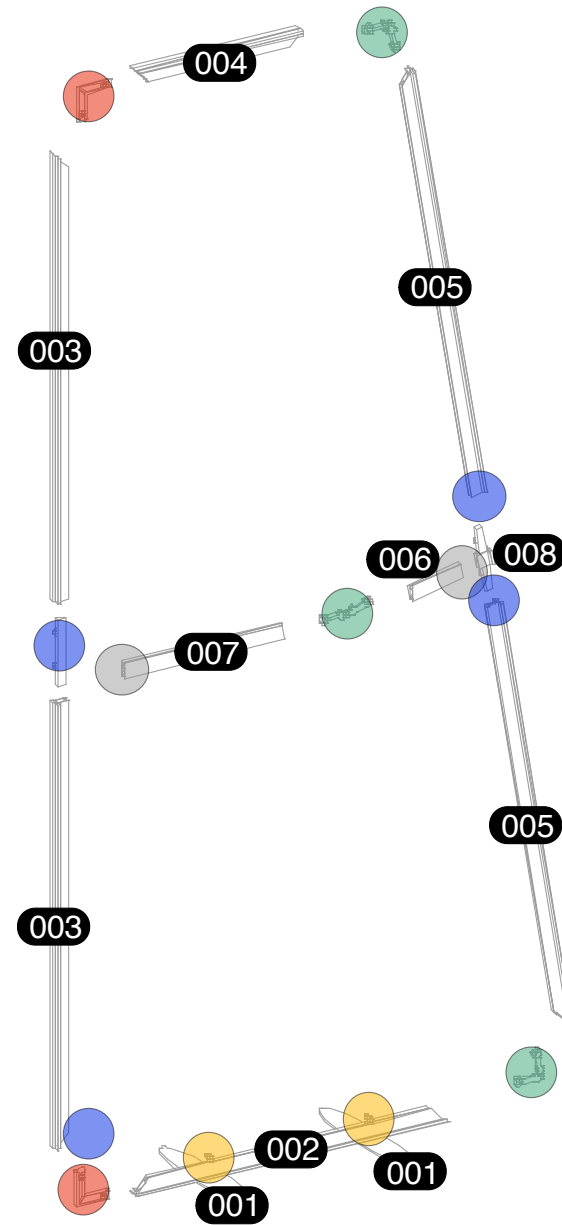
1. Slide straight connector (Z967) into inner channel of extrusion. Turn screw enough to hold connector in place.
2. Take another extrusion and slide onto straight connector. Tighten both screws to connect extrusions together.
3. Repeat above steps to connect all spliced extrusions together.
4. Slide corner connector (Z966) into both sides of horizontal extrusions. Turn each screw enough to hold connector in place.
5. Slide vertical extrusions onto corner connectors of top horizontal extrusion. Turn each screw enough to hold connector in place.
6. Finish frame assembly by sliding corner connectors of bottom horizontal extrusion into inner channel of vertical extrusions and tighten the screws to secure frame extrusions together.

Profile	Label	#	Description
	001	3	1/4" ALUMINIUM OVAL BASE PLATE 17.5" (444.5MM) x 4.72" (120MM)
	002	1	M1901 45" (1143MM) EXTRUSION W/ (1) 45° CUT, (2) HOLES FOR BASE PLATE & LIGHTS
	003	1	M1901 30" (762MM) EXTRUSION W/ (2) HOLES FOR BASE PLATE & LIGHTS
	004	1	M1901 45" (1143MM) EXTRUSION W/ (1) 45° CUTS, (2) HOLES FOR BASE PLATE & LIGHTS
	005	1	M1901 47.5" (1206.5MM) EXTRUSION W/ (1) 45° CUT
	006	1	M1901 47.5" (1206.5MM) EXTRUSION W/ (1) 45° CUT
	007	1	M1901 47.5" (1206.5MM) EXTRUSION W/ (1) 45° CUT, PLASTIC EXTR. & POWER SUPPLY
	008	1	M1901 47.5" (1206.5MM) EXTRUSION W/ (1) 45° CUT, PLASTIC EXTR. & POWER SUPPLY
	009	1	M1901 45" (1143MM) EXTRUSION W/ (1) 45° CUT & LIGHTS
	010	1	M1901 30" (762MM) EXTRUSION W/ LIGHTS
	011	1	M1901 45" (1143MM) EXTRUSION W/ (1) 45° CUT & LIGHTS
	012	1	Z4400 46.87" (1190.5MM) EXTRUSION W/ (1) TENSION LOCK
	013	1	Z4400 46.87" (1190.5MM) EXTRUSION W/ (1) TENSION LOCK
	014	1	Z4400 30.22" (767.5MM) EXTRUSION W/ (2) TENSION LOCKS
	015	1	Z4400 46.87" (1190.5MM) EXTRUSION W/ (1) TENSION LOCK
	016	1	Z4400 46.87" (1190.5MM) EXTRUSION W/ (1) TENSION LOCK
	017	1	Z4400 30.22" (767.5MM) EXTRUSION W/ (2) TENSION LOCKS
		8	Z966 90° CORNER INTERNAL CONNECTOR
		14	Z967 STRAIGHT INTERNAL CONNECTOR
		4	5/16-18 FLAT HEAD SCREW 0.75" LONG FOR BASE PLATES
		2	120"W (3048MM) x 95"H (2413MM) SINGLE SIDED DYESUB GRAPHIC W/ SEG WELT ALL 4 SIDES





FRONT VIEW



Profile	Label	#	Description
	001	2	1/4" ALUMINIUM OVAL BASE PLATE
	002	1	M1307 36" EXTRUSION
	003	2	M1307 47-1/2" EXTRUSION
	004	1	M1307 19-1/4" EXTRUSION
	005	2	M1307 47-1/2" EXTRUSION
	006	1	Z4400.01 6" EXTRUSION
	007	1	Z4400.01 18-15/16" EXTRUSION
	008	1	M1307 1-15/32" EXTRUSION
		4	Z967 STRAIGHT INTERNAL CONNECTOR
		2	5/16-18 FLAT HEAD SCREW 2.25" & WING NUT
		2	Z966/V ADJUSTABLE INTERNAL CONNECTOR

- Slide straight connector (Z967) into inner channel of vertical extrusion. Turn screw enough to hold connector in place.
- Take another vertical extrusion and slide onto straight connector. Tighten both screws to connect extrusions together.
- Repeat above steps to connect all spliced extrusions together.
- Slide corner connector (Z966) into both sides of horizontal extrusions. Turn each screw enough to hold connector in place.
- Slide vertical extrusions onto corner connectors of top horizontal extrusion. Turn each screw enough to hold connector in place.
- Slide vertical extrusions onto corner connectors of top horizontal extrusion. Turn each screw enough to hold connector in place.
- Finish frame assembly by sliding corner connectors of bottom horizontal extrusion into inner channel of vertical extrusions and tighten the screws to secure frame extrusions together.

Z966 - Corner Connector

Connect frame extrusions together, as shown, using Torx tool (included). Do not overtighten.

NOTE: Remove corner connectors from extrusions before packing

Z967 - Straight Connector

Connect frame spliced extrusions together, as shown, using Torx tool (included). Do not overtighten.

NOTE: Remove connectors from extrusions before packing

Z961/13 - Tension Lock

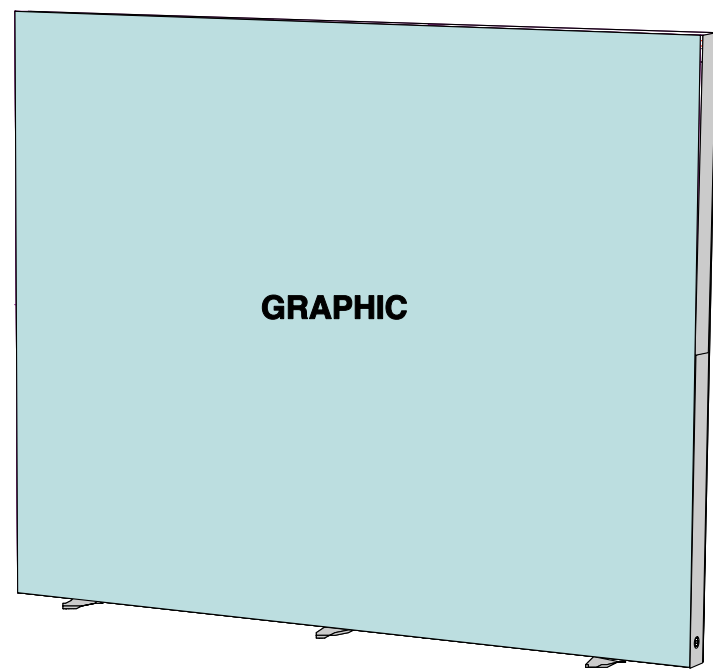
Place tension lock into groove. Insert Torx 30 wrench and turn 1/2 turn

Tension Lock
Torx Tool

- Attach the Adjustabel Internal Corner Connector to the accordingly parts using the tool provided.
- Secure frame uprights to internal corner connector on both beams.

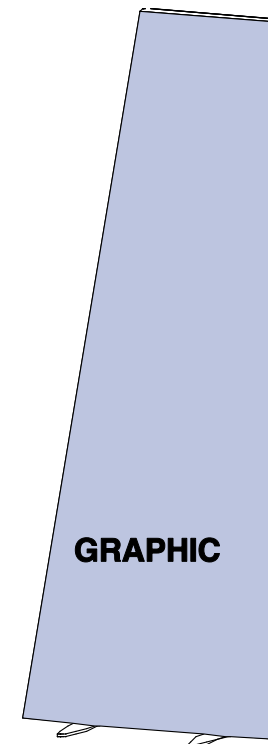
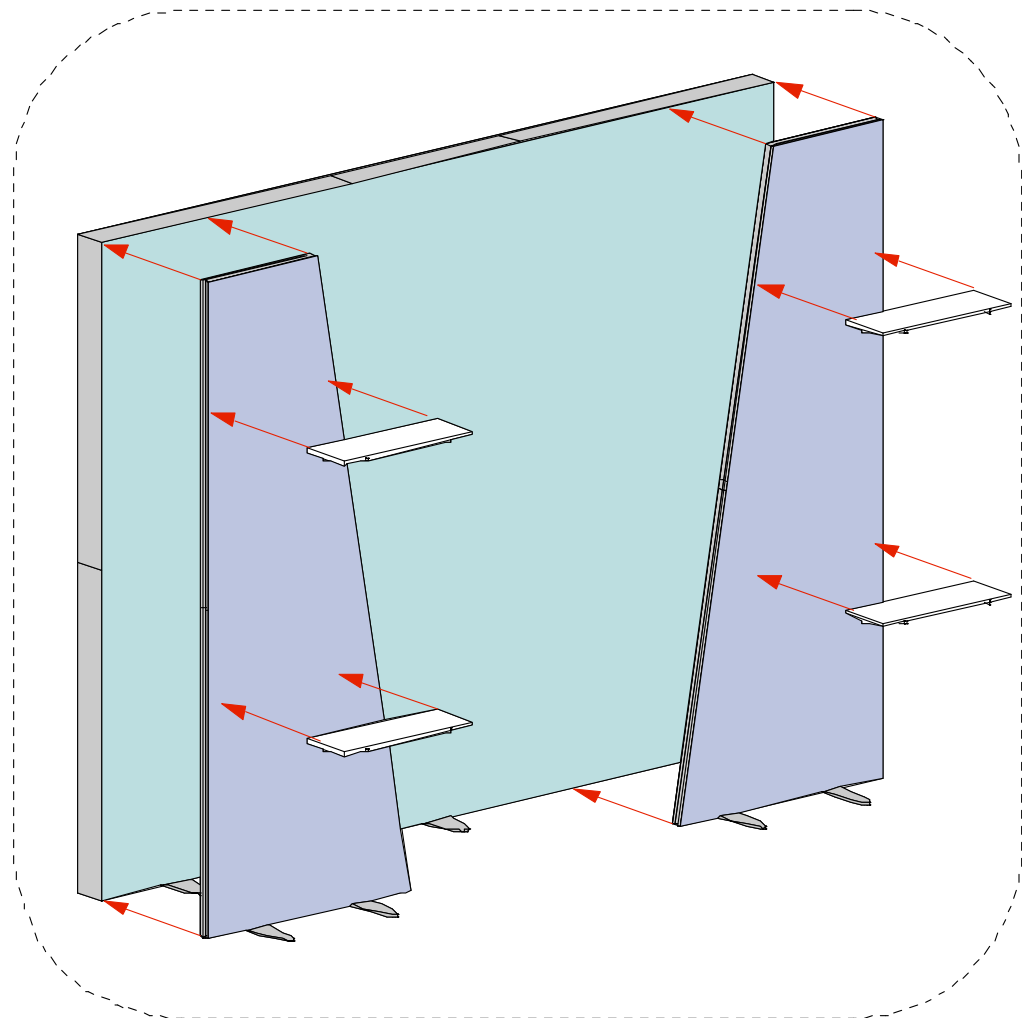
Secure base plate to bottom horizontal extrusions with provided bolt and wing nut.





GRAPHIC

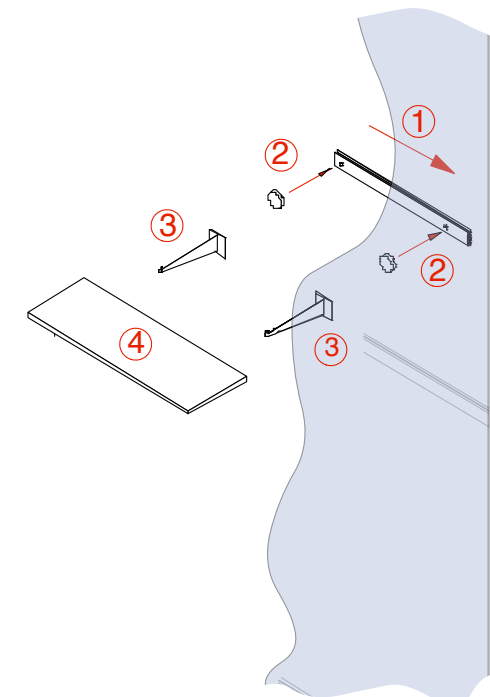
3D VIEW



GRAPHIC

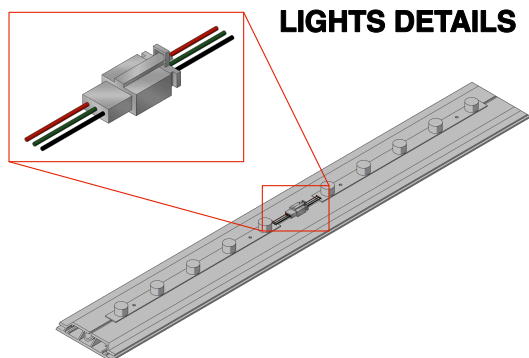
3D VIEW

SHELF INSTALLATION



- 1 Connect the beam with threaded holes to the frame
- 2 Secure the magnets to the horizontal beam
- 3 After installing the fabric attach the brackets to the magnets
- 4 Put the shelves on the brackets

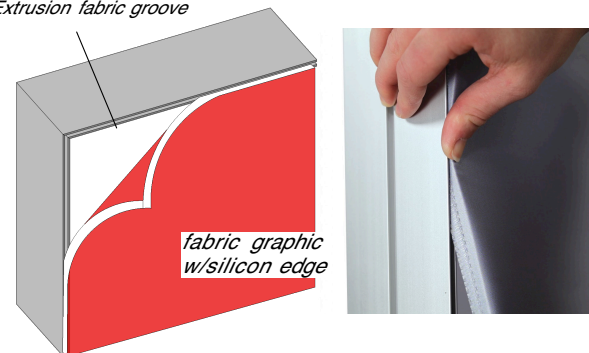
LIGHTS DETAILS



Lights come attached to extrusions. Ensure all lighting strips are connected. Once frame is assembled, connect strip-to-power cords to the end of top and bottom lights chain.
 - For bottom lights connect strip-to-power cord to power supply directly.
 - For top lights connect extension cord to strip-to-power cord and run with wire management extrusion then connect to power supply.
 Run AC power cord out through grommet hole on vertical upright and connect to power outlet.
 To remove or re-attach light strips use provided thumbscrews with plate.

SEG GRAPHIC

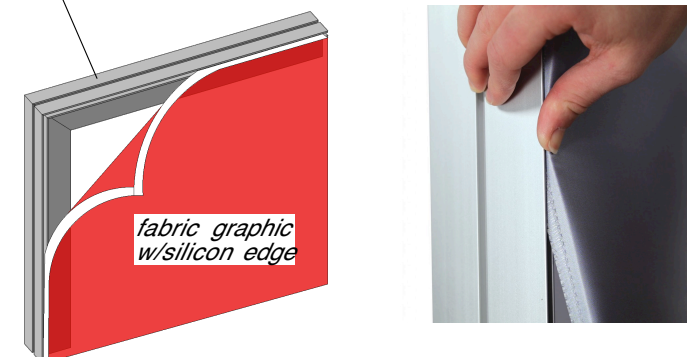
Extrusion fabric groove



Insert the silicon edge of the fabric into the groove of the extrusions. Start on the corners, than centers and work your way to corners from center on both directions. To pull fabric graphic out of extrusion groove use pull tab on corner.

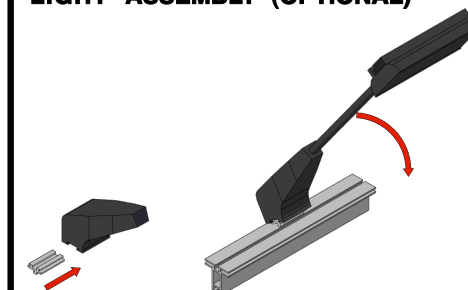
GRAPHIC

Extrusion fabric groove



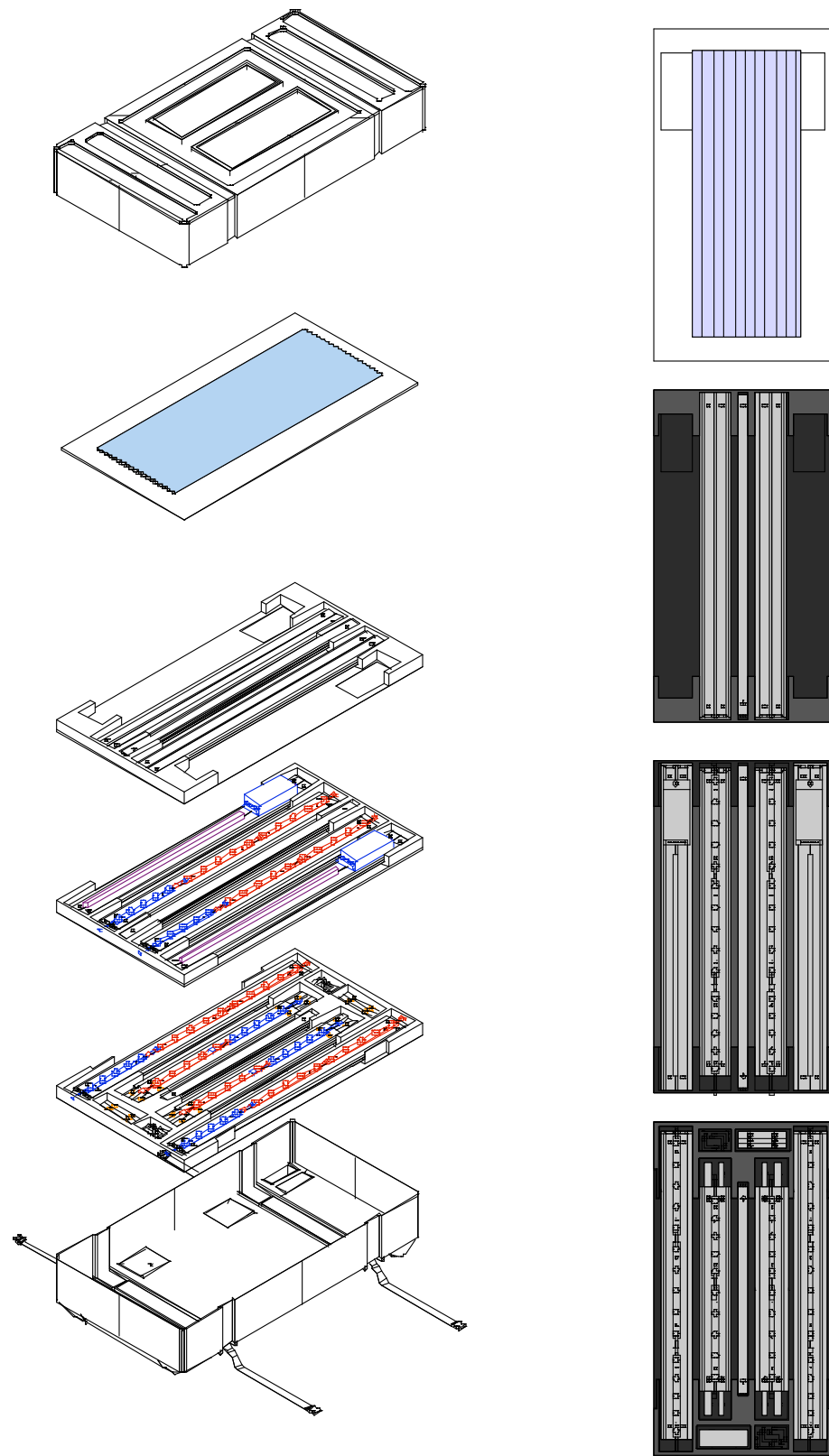
Insert the silicon edge of the fabric into the groove of the extrusions. Start on the corners, than centers and work your way to corners from center on both directions. To pull fabric graphic out of extrusion groove use pull tab on corner.

LIGHT ASSEMBLY (OPTIONAL)



Slide light clip into the light. Then place the light into the groove and gently lower it down.

10FT LUMIWALL



3FT ELITE WITH SHELVES

