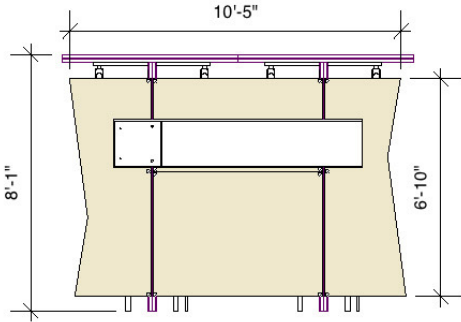
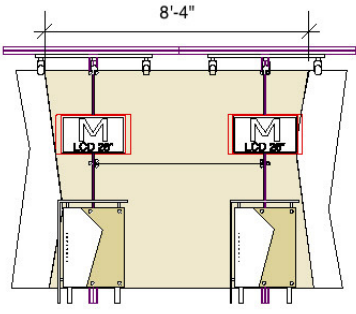


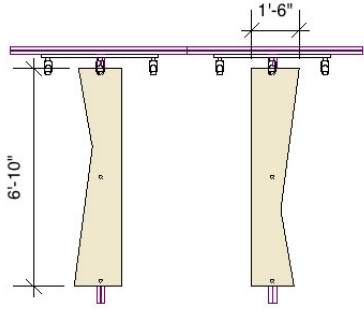
SOLAR R 20x20
Back Wall



BACK OF WALL
663 lbs



FRONT OF WALL
663 lbs



SUPPORT COLUMNS
663 lbs