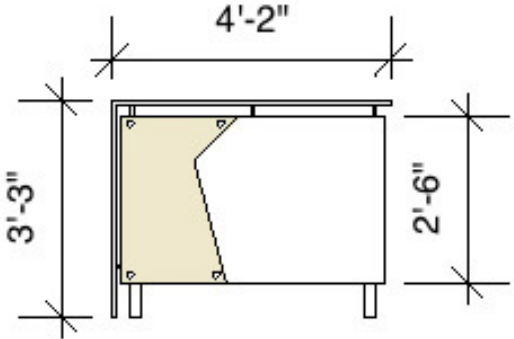
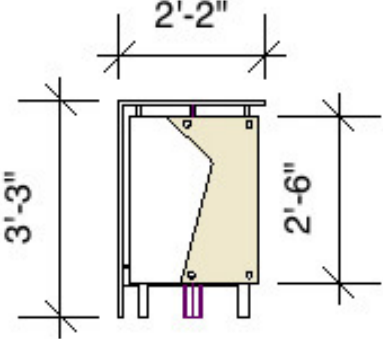


SOLAR R 10x20
Counters



RECEPTION COUNTER

84 lbs



BACKWALL COUNTER

67 lbs