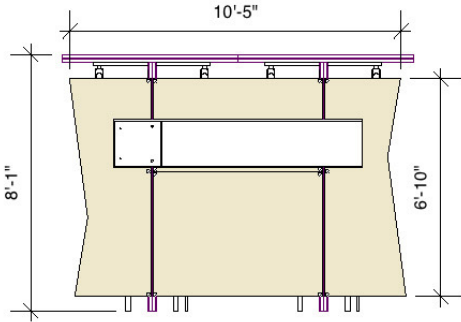
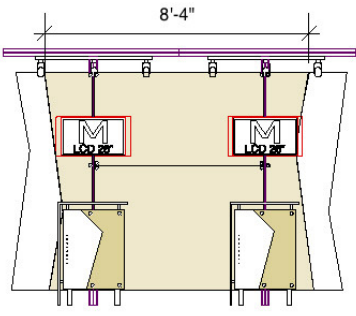


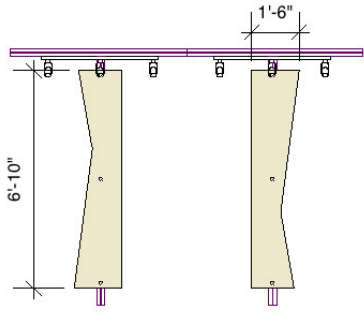
**SOLAR R 10x20**  
**Back Wall**



BACK OF WALL  
*663 lbs*



FRONT OF WALL  
*663 lbs*



SUPPORT COLUMNS  
*663 lbs*